

# Model 314-TS



## 3114-TS Tamp-Blow

Primary Applicator

The Label-Aire® Model 3114-TS makes labeling easier and faster...making you more profitable.

The Model 3114-TS Tamp-Blow labeler delivers on its promise of speed, accuracy, and ease of use. And that translates into lower operating costs and increased productivity for your business.

The Label-Aire Model 3114-TS was designed for high-speed tamp-blow labeling applications at a standard dispense speed of up to 1,500" (38.1 m) of web per minute or up to 2,000" (50.8 m) with the optional powered rewind. Advanced features include Velocity Compensation for improved label placement accuracy, a microprocessor controller with digital display, and ambidextrous parts. Zero Downtime Labeling allows your production to continue without costly interruptions. Missing label compensation virtually eliminates unlabeled products. Furthermore, the 3114-TS comes standard with a heavy duty double stack stepper motor—at no extra charge as well as a standard 1" to 10" (25.4 mm to 254 mm) adjustable stroke. Not only can the 3114-TS be easily converted to left- or right-hand use, it can also apply labels to the top, side, or bottom of products with a label dispense accuracy of up to +/- 1/32" (.8 mm). Adding to the 3114-TS's versatility are the availability of air-blow and wipe-on conversion kits.

Put this tamp-blow pressure-sensitive technology to work for you all day, every day. The Model 3114-TS Tamp-Blow labeler is built to meticulous quality standards and designed to withstand the most demanding operation.

Have a Label-Aire Authorized Distributor contact you. Visit [www.label-aire.com](http://www.label-aire.com).



# 3114-TS Tamp-Blow Specifications

## Dimensions:

Height: 26.96" (684.86 mm)  
 Length: 34.78" (883.46 mm)  
 Width: 24.68" (626.76 mm)

## Weight:

140 lbs. (63.5 kg)

## Standard Label Dimensions:

Max. Web Width: 7.13" (181 mm)  
 Optional 7.13" (181 mm) web width  
 Min. Web Width: .63" (16 mm)  
 Min. Label Length: .75" (19 mm)

## Label Packaging:

16" (406 mm) O.D. rolls std. on  
 3" (76 mm) I.D. cores  
 20" (508 mm) powered rewind and  
 powered unwind

## Dispense Speed:

Up to 1,500" (38.1 m) of web per  
 minute (standard)  
 Up to 2,000" (50.8 m) of web per  
 minute with smart powered rewind

## Label Dispense Accuracy:

+/- 1/32" (.8 mm)

## Electrical:

115 Volts AC 60 Hz 3 Amps.  
 220 Volts AC 50 Hz optional

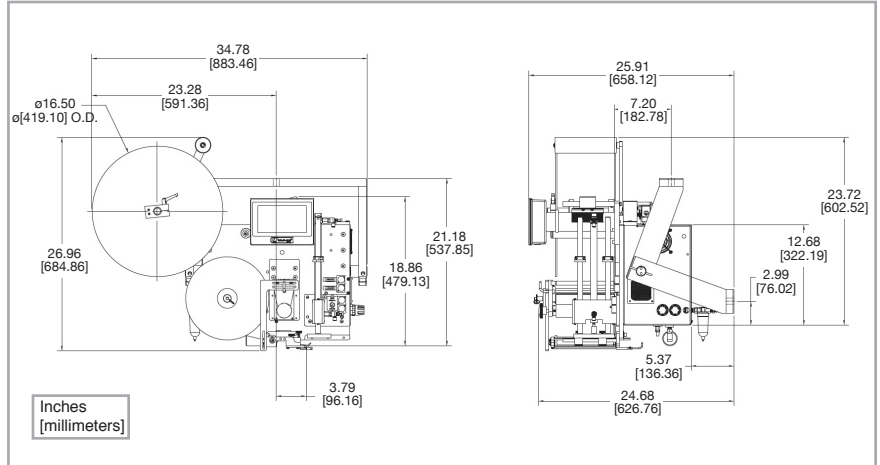
## Air:

4 cfm at 90 psi to 110 psi for  
 most applications

## Options:

Smart 10" (254 mm) powered rewind  
 Smart 20" (508 mm) powered unwind  
 and powered rewind  
 6" (152 mm) label core adapter  
 Encoder kit for Velocity Compensation  
 Strobe signals for "low label" and  
 "out of labels"  
 Clear label sensor upgrade  
 Hot stamp imprinter  
 Display tilt mounting brackets  
 Model 2700 T-Base stand

**Consult factory for additional options.**



Stated dimensions are approximations. Please consult factory if dimensions are required for line integration.

## 3114-TS Tamp-Blow Advanced Features

<b>Automatic setup</b>	Includes multiple programmable label pages for easy changeovers to different label sizes.
<b>Standard adjustable stroke</b>	1" to 10" (25.4 mm to 254 mm)
<b>Stepper motor drive</b>	For precise starting/stopping, increased reliability, wider range speed variability, and lower maintenance.
<b>HMI color touch screen</b>	Touch screen allows easy set-up and adjustability.
<b>Velocity Compensation</b>	For improved label placement accuracy.
<b>Optional quick-action collapsible rewind</b>	Allows easy removal of scrap liner.
<b>Optional smart powered rewind</b>	For dynamic web tension control.
<b>Tamp-blow applicator</b>	Easily adapts to air-blow or wipe-on use.



### Headquarters

550 Burning Tree Road  
 Fullerton, CA 92833 USA

o 714.449.5155  
 f 714.526.0300  
 e info@label-aire.com  
 w www.label-aire.com

### Europe

Via Bacchini 3/b  
 40026 Imola (BO), Italy

o +39.0542.1903925  
 f +39.0542.1903895  
 e info@label-aire.com  
 w www.label-aire.com

### Asia

27 Yucheng Road,  
 Taiping, Taichung  
 41155 Taiwan

o +886.987.968.513  
 f +886.4.2395.80 07  
 e info@label-aire.com  
 w www.label-aire.com

Distributed by:

